

Patternübersicht

Western Riding

LK 1-3 Pattern 6

Senior Superhorse (2018)

LK 1-2 Pattern 1

Reining

LK 1/2 A Pattern 11

LK 1/2 B Pattern 6

LK 3 A Pattern 5

LK 3 B Pattern 5

LK 4 Pattern 14

Ranch Riding (2017)

LK 1 A Pattern 6

LK 1 B Pattern 6

LK 2 A Pattern 6

LK 2 B Pattern 6

LK 3 A Pattern 2

LK 3 B Pattern 2

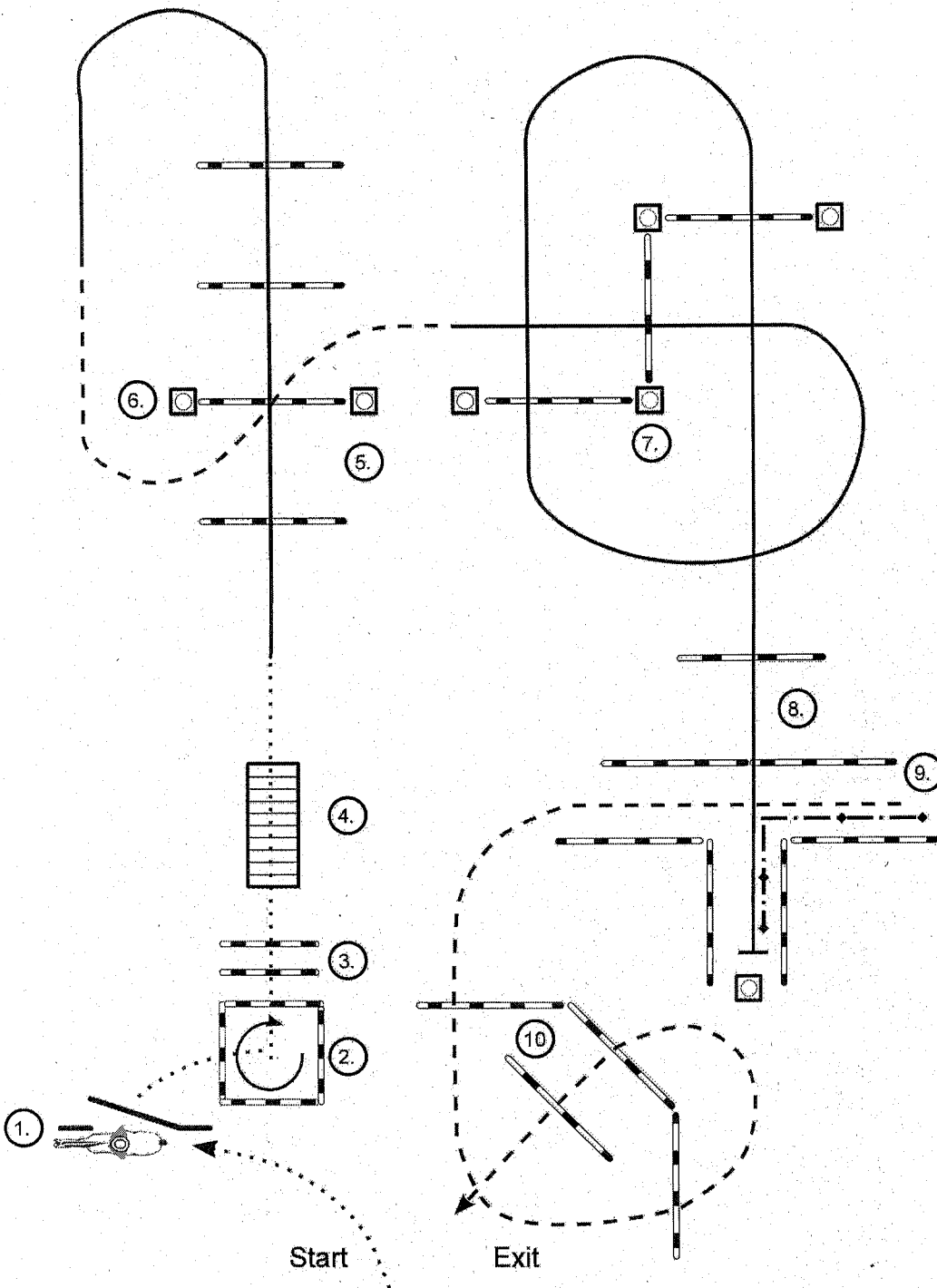
LK 4 A Pattern 3

LK 4 B Pattern 3

LK 5 A Pattern 3

LK 5 B Pattern 3

Trail Horse LK 1 A / LK 1 B



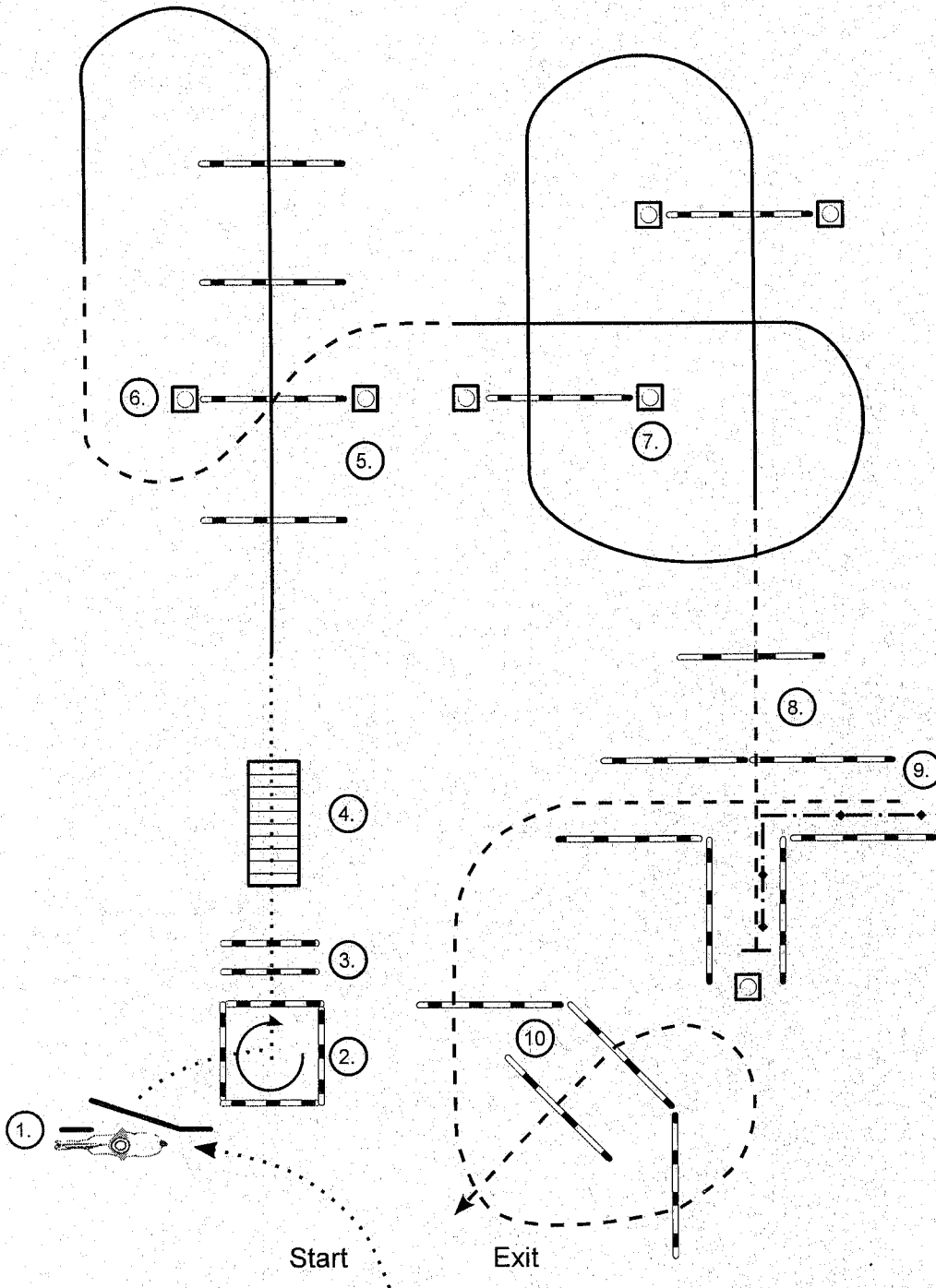
1. Gate (RH)
2. 270° Turn (R)
3. Walk Overs
4. Bridge
5. Lope (LL) Overs
6. Jog Overs
7. Lope (RL) Overs
8. Lope (RL) Overs - Stop
9. Back Up
10. Jog Overs

Jog to Exit

LH = Left Hand
RH = Right Hand
LL = Left Lead
RL = Right Lead

- Schritt
- - - - - Trab
- Galopp
- ◄ - - - - - ► Rückwärts
- on → Seitwärts
- X —— Galoppwechsel

Trail Horse LK 2 A / LK 2 B



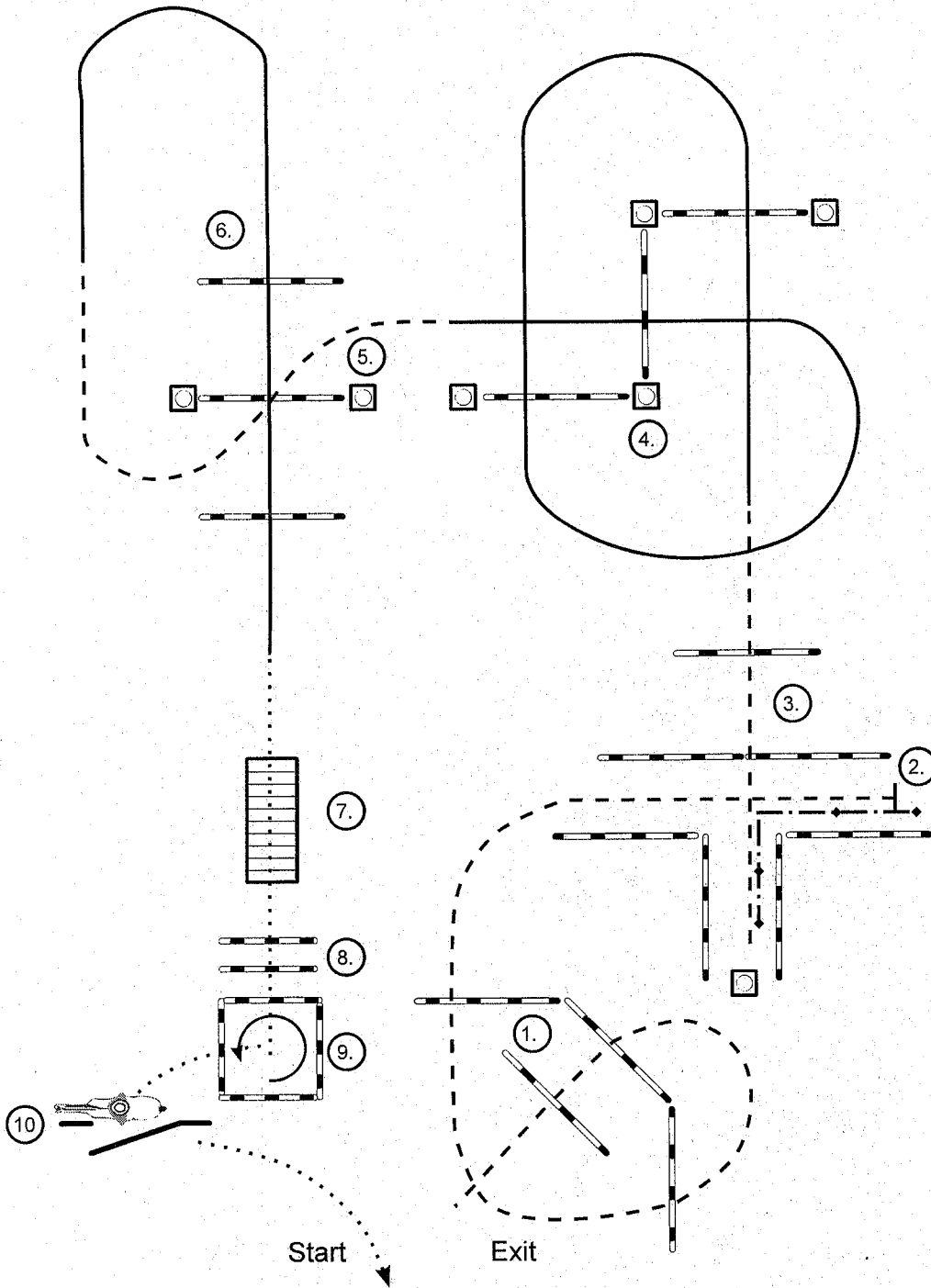
1. Gate (RH)
2. 270° Turn (R)
3. Walk Overs
4. Bridge
5. Lope (LL) Overs
6. Jog Overs
7. Lope (RL) Overs
8. Jog Overs - Stop
9. Back Up
10. Jog Overs

Jog to Exit

LH = Left Hand
RH = Right Hand
LL = Left Lead
RL = Right Lead

- Schritt
- - - - - Trab
- Galopp
- ← - - - - - Rückwärts
- → Seitwärts
- X — Galoppwechsel

Trail Horse LK 3 A / LK 3 B



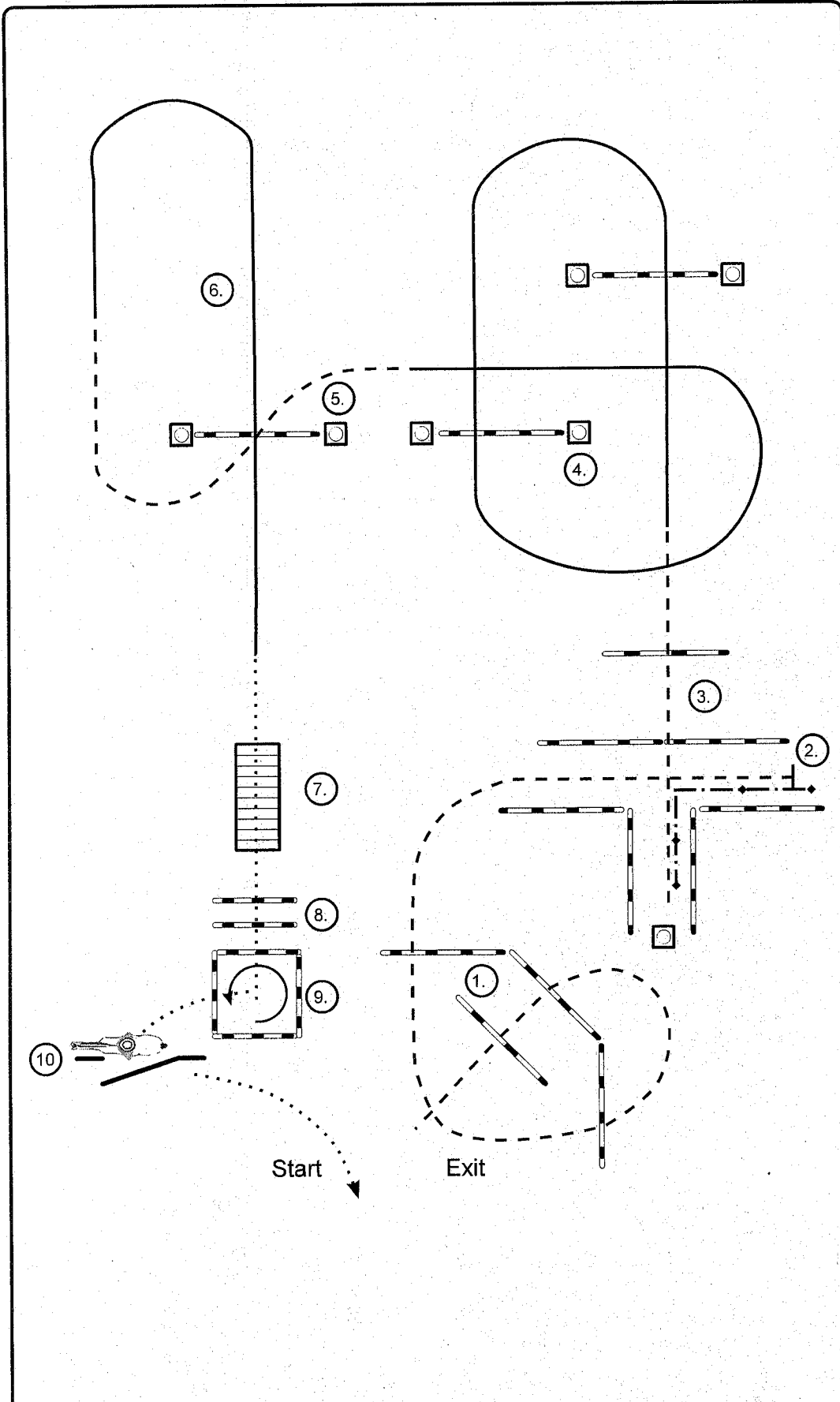
1. Jog Overs - Stop
2. Back Up
3. Jog Overs
4. Lope (LL) Overs
5. Jog Overs
6. Lope (RL) Overs
7. Bridge
8. Walk Overs
9. 270° Turn (L)
10. Gate (LH)

Walk to Exit

LH = Left Hand
RH = Right Hand
LL = Left Lead
RL = Right Lead

- Schritt
- - - - - Trab
- Galopp
- ◄ - - - - - ► Rückwärts
- nn → Seitwärts
- X — Galoppwechsel

Trail Horse LK 4 A / LK 4 B



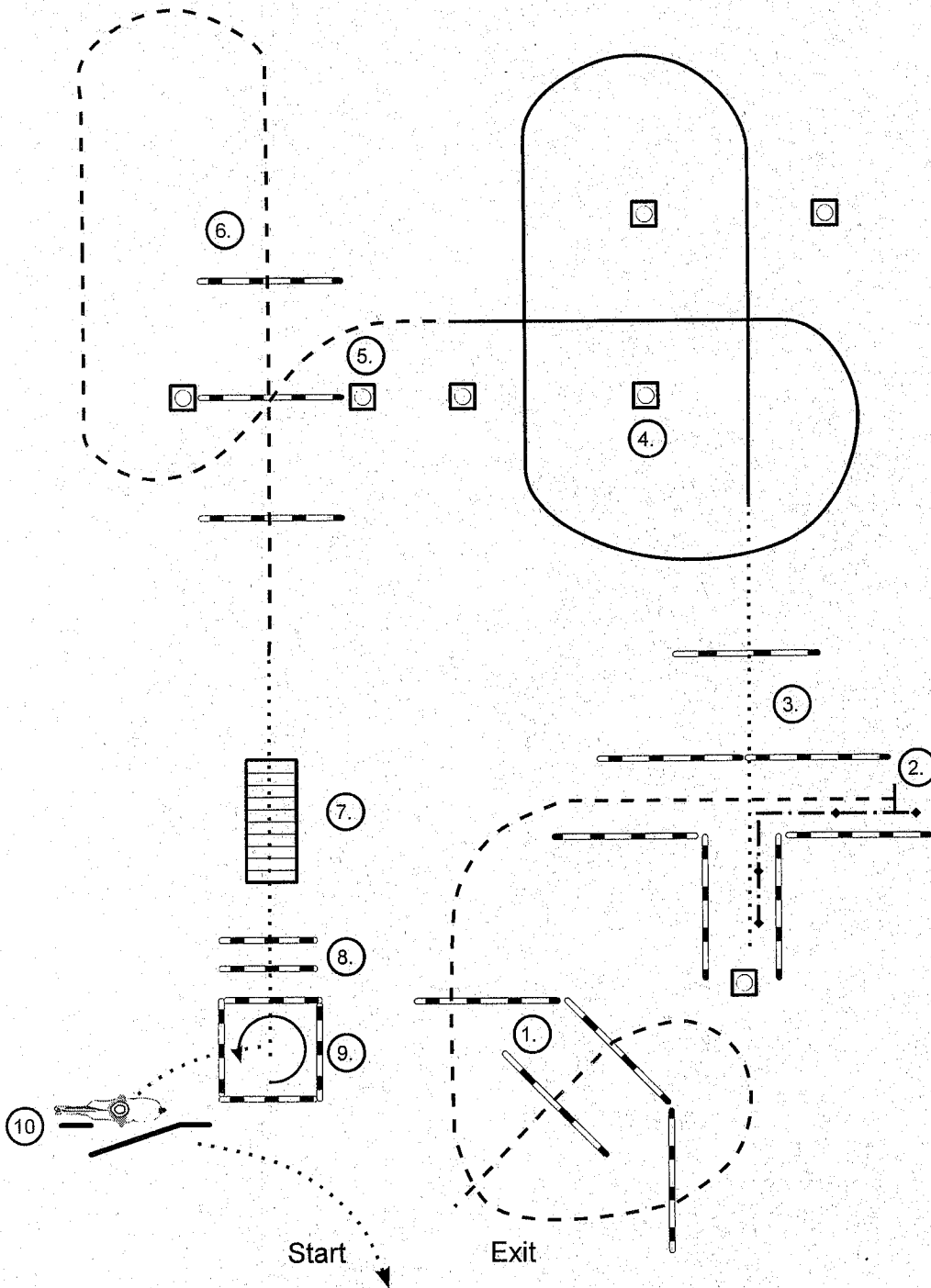
1. Jog Overs - Stop
2. Back Up
3. Jog Overs
4. Lope (LL) Overs
5. Jog Overs
6. Lope (RL) Overs
7. Bridge
8. Walk Overs
9. 270° Turn (L)
10. Gate (LH)

Walk to Exit

LH = Left Hand
RH = Right Hand
LL = Left Lead
RL = Right Lead

- Schritt
- - - - - Trab
- Galopp
- ◆ - - - ◆ Rückwärts
- nn> Seitwärts
- X — Galoppwechsel

Trail Horse LK 5 A / LK 5 B



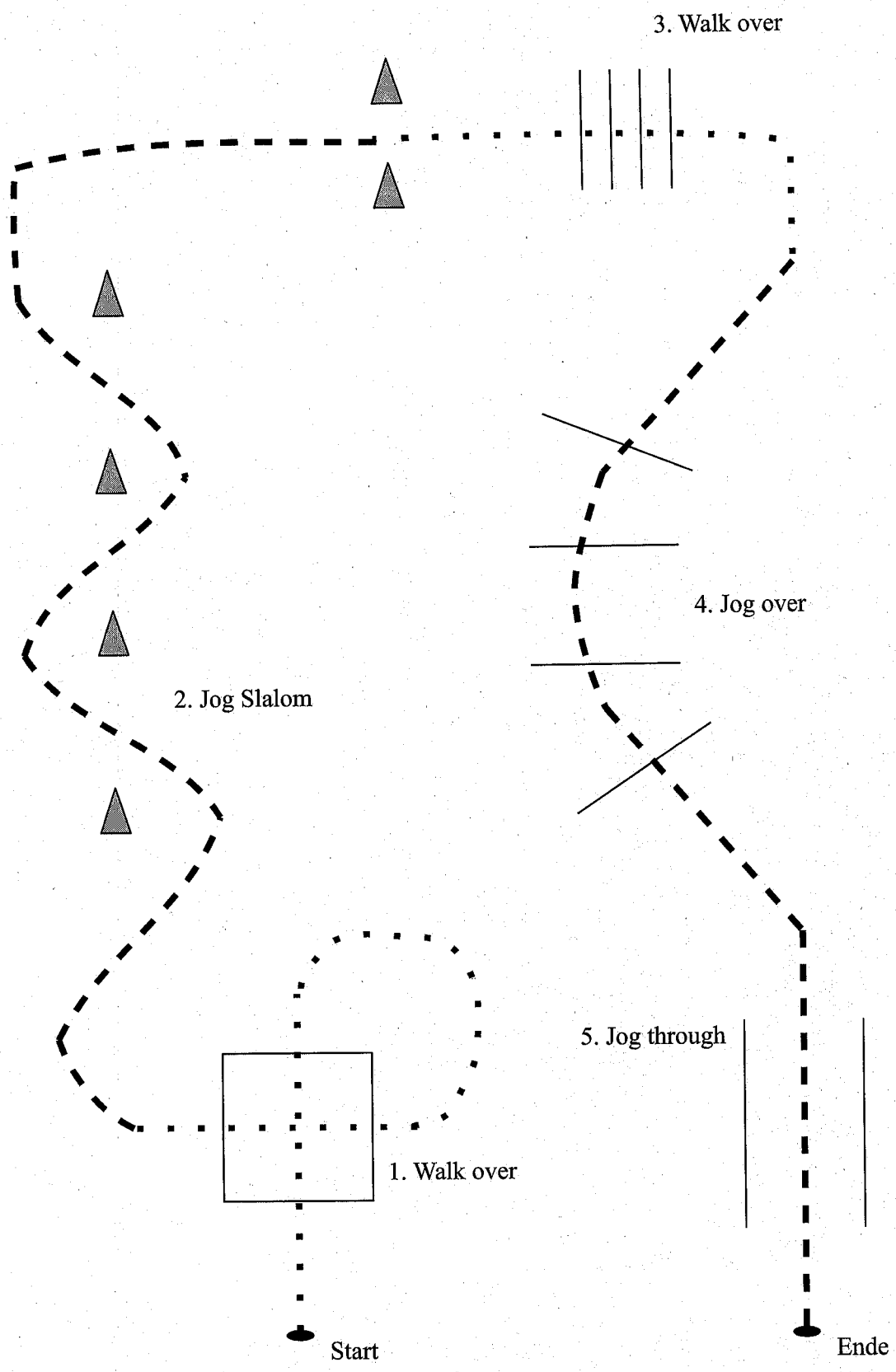
1. Jog Overs - Stop
2. Back Up
3. Walk Overs
4. Lope (LL)
5. Jog Overs
6. Jog Overs
7. Bridge
8. Walk Overs
9. 270° Turn (L)
10. Gate (LH)

Walk to Exit

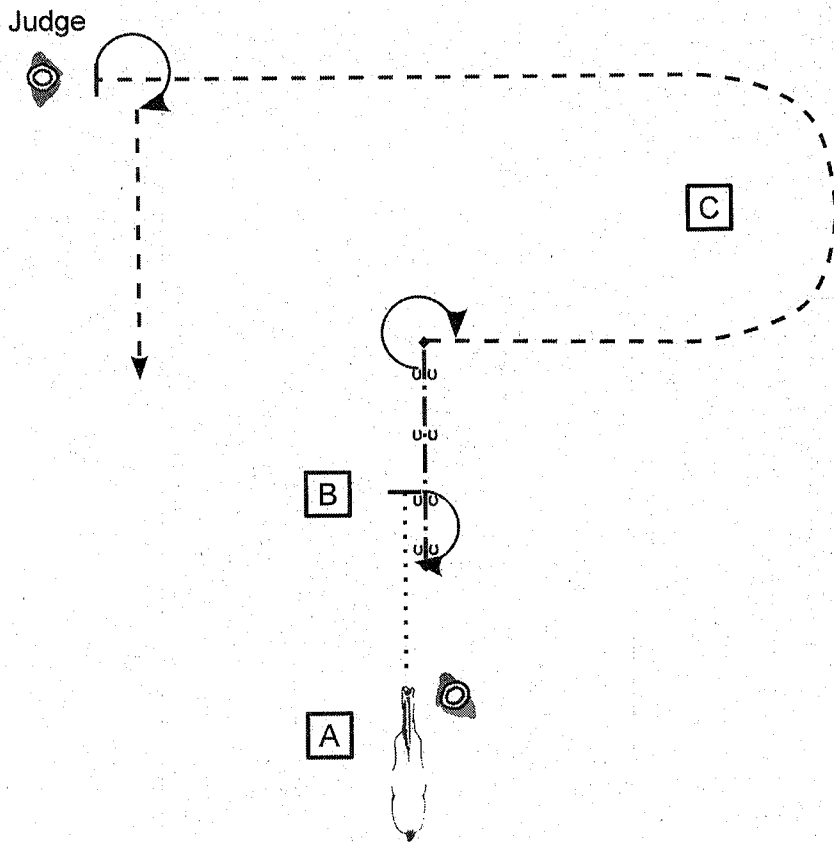
LH = Left Hand
RH = Right Hand
LL = Left Lead
RL = Right Lead

- Schritt
- - - - - Trab
- Galopp
- ◆ —◆ —◆ Rückwärts
- > Seitwärts
- X —— Galoppwechsel

Walk Trot Trail (Nr. 4)



Showmanship at Halter LK 1 A / LK 1 B / LK 2 A / LK 2 B



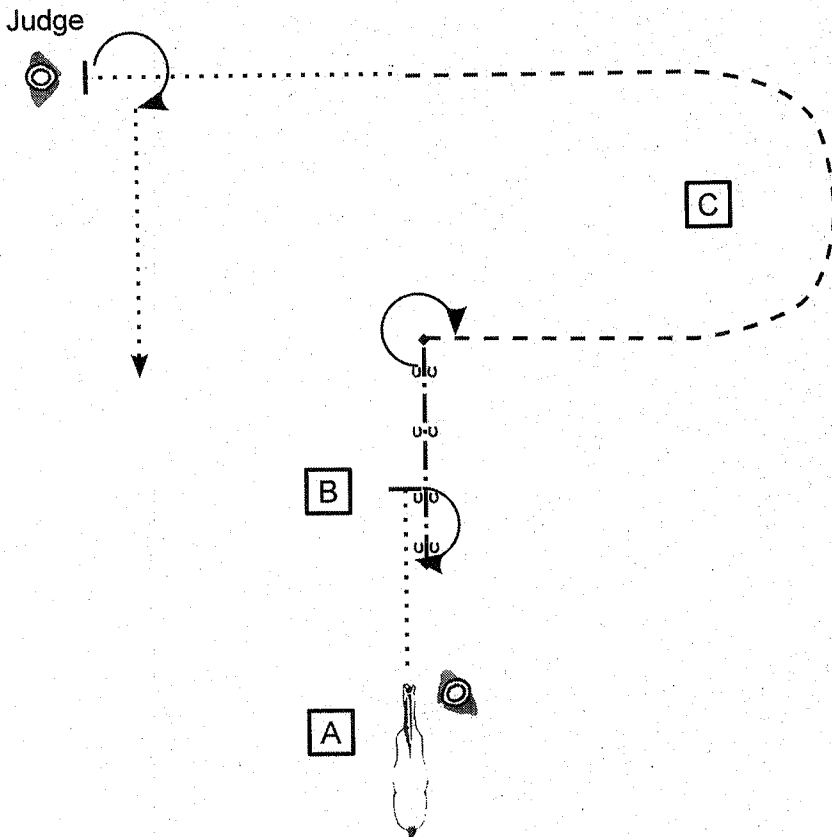
Set Up bei A.

1. Walk bis B - Stop
2. 180° Turn
3. Back Up
4. 270° Turn
5. Jog um C zum Richter - Stop
6. Set Up
7. 270° Turn

Jog weg vom Richter

- A Marker
- Schritt
- - - - - Trab
- - - - - ext. Trab
- ← 3 → Rückwärts

Showmanship at Halter LK 3 A / LK 3 B



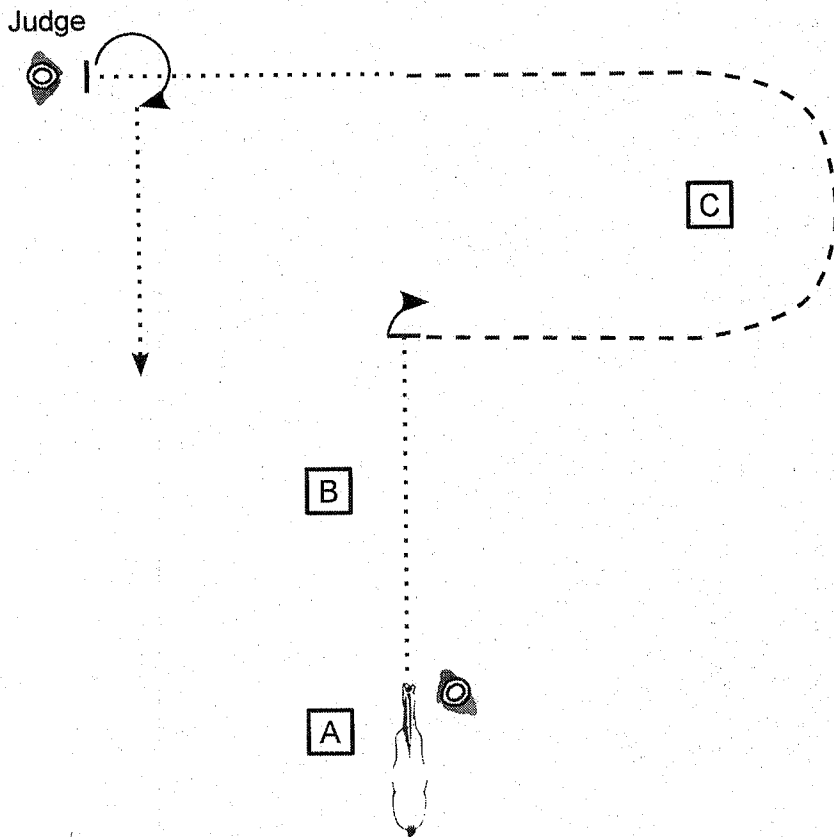
Set Up bei A

1. Walk bis B - Stop
2. 180° Turn
3. Back Up
4. 270° Turn
5. Jog um C bis auf Höhe B
6. Walk zum Richter - Stop
7. Set Up
8. 270° Turn

Walk weg vom Richter

- A Marker
 Schritt
 - - - - - Trab
 - - - - - ext. Trab
 ← ↻ → ↻ ↻ ↻ → Rückwärts

Showmanship at Halter LK 4-5 A / LK 4-5 B



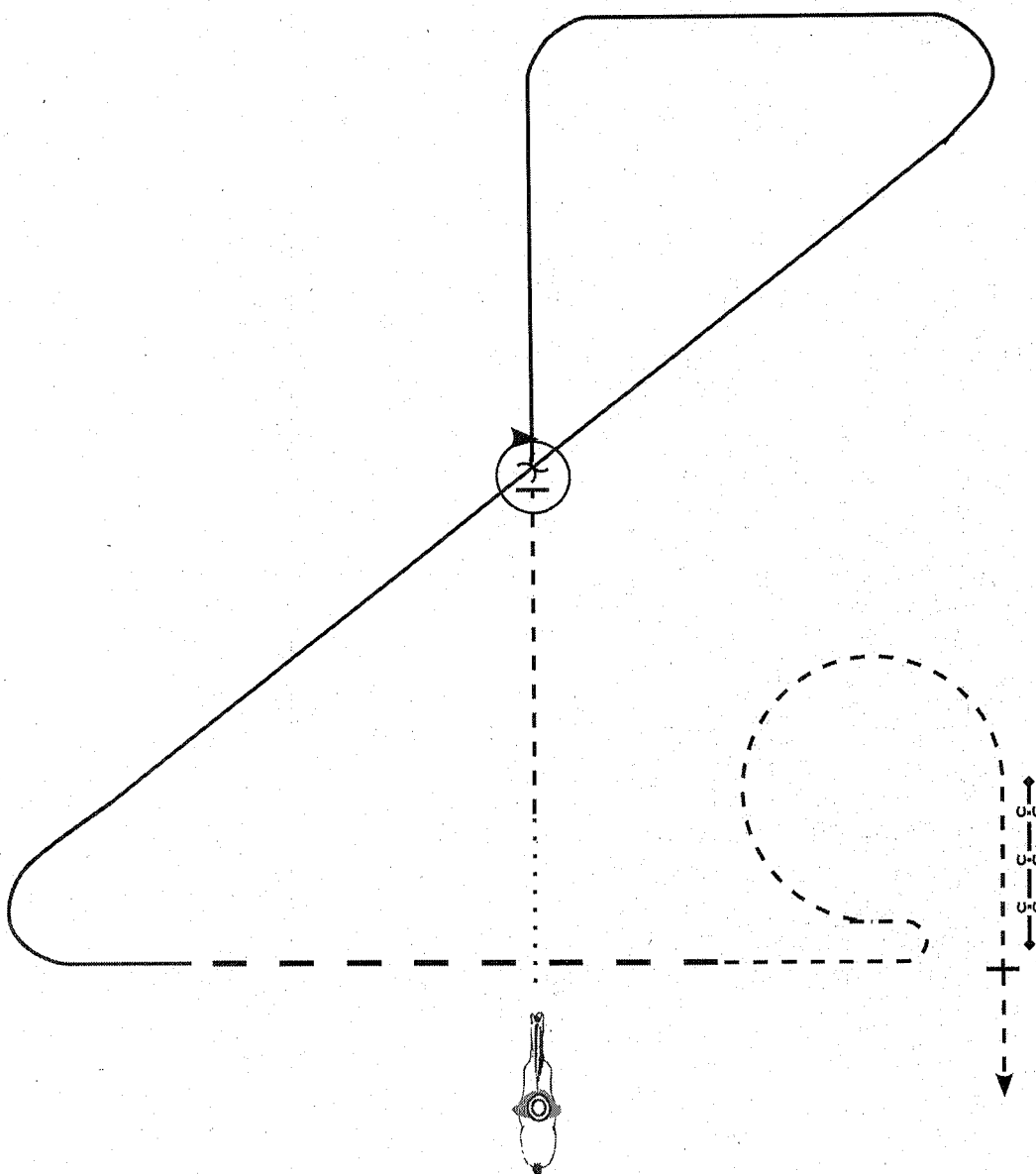
Set Up bei A

1. Walk bis hinter B - Stop
2. 270° Turn
3. Jog um C bis auf Höhe B
4. Walk zum Richter - Stop
5. Set Up
6. 270° Turn

Walk weg vom Richter

- A Marker
- Schritt
- Trab
- - - - - ext. Trab
- ← 3 → Rückwärts

Western Horsemanship LK 1 A / LK 1 B



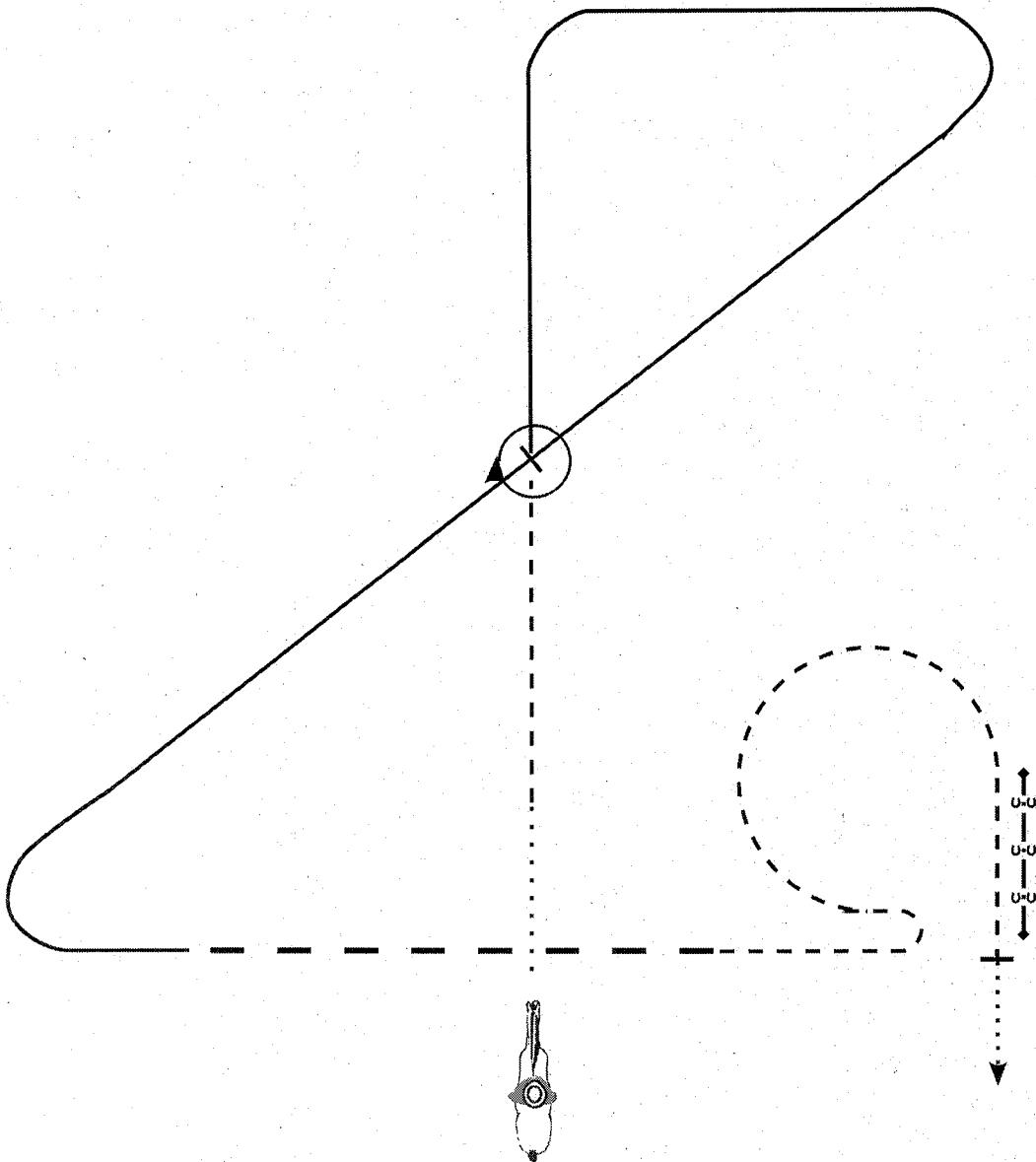
1. Walk - Jog - Stop
2. 360° Turn (R)
3. Lope (RL) as shown
4. Lead Change (simple)
5. Lope (LL) as shown
6. Ext. Jog
7. Jog circle - Stop - Back

Jog to Exit

L = Left
R = Right
LL = Left Lead
RL = Right Lead

- | | |
|-----------|---------------|
| A | Marker |
| | Schritt |
| - - - - - | Trab |
| - - - - - | ext. Trab |
| ————— | Galopp |
| ————— | ext. Galopp |
| —•—•—•— | Rückwärts |
| —•—•—•— | Seitwärts |
| —X— | Galoppwechsel |

Western Horsemanship LK 2 A / LK 2 B



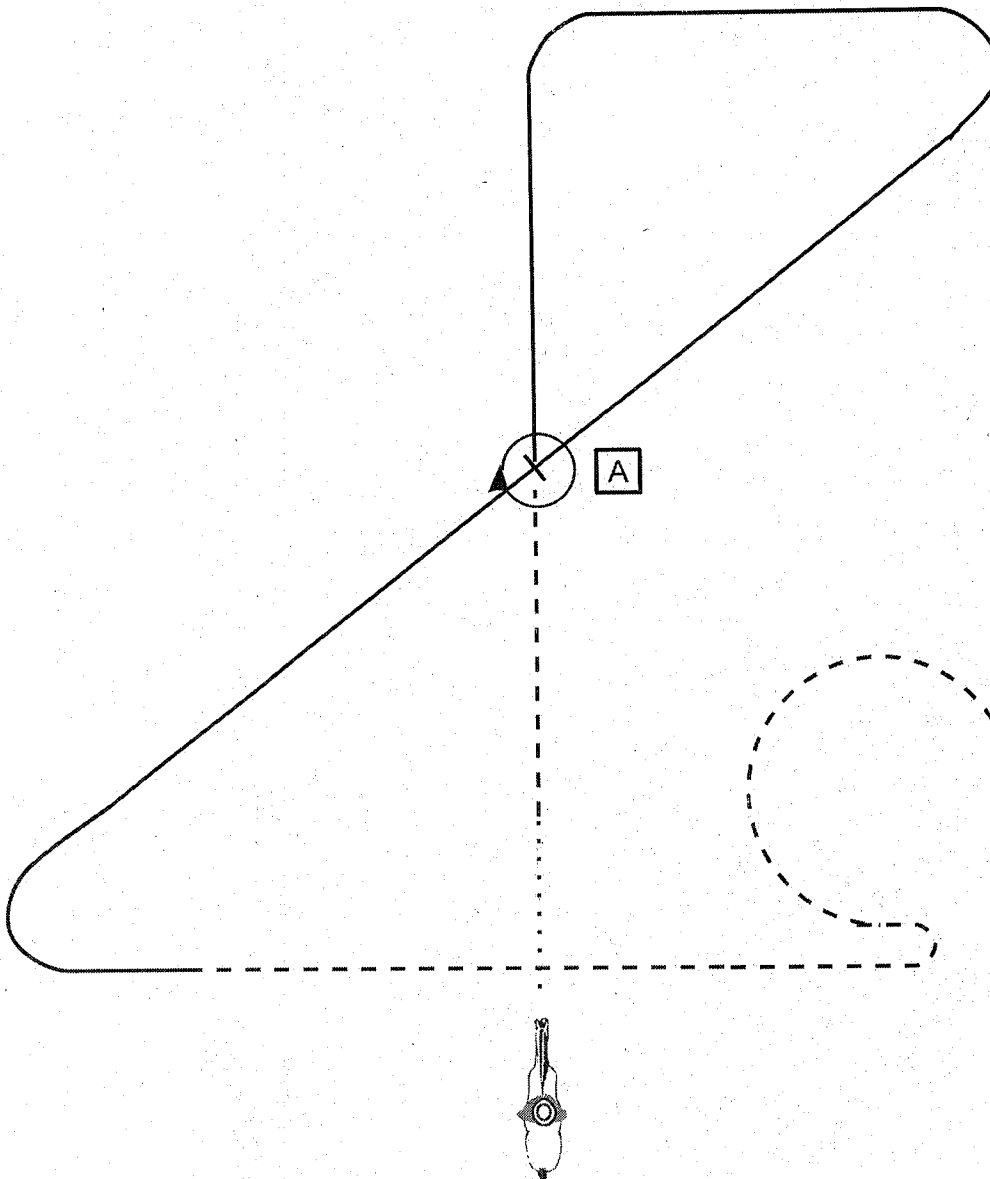
1. Walk - Jog
2. Lope (RL) as shown
Stop
3. 360° Turn (R)
4. Lope (LL) as shown
5. Ext. Jog
6. Jog circle - Stop - Back

Walk to Exit

L = Left
 R = Right
 LL = Left Lead
 RL = Right Lead

- | | |
|---|--------------------|
| A | Marker |
| | Schritt |
| ----- | Trab |
| - - - - - | ext. Trab |
| ————— | Galopp |
| ————— | ext. Galopp |
| • — — — • | Rückwärts |
| no> | Seitwärts |
| — X — | Galopp-
wechsel |

Western Horsemanship LK 3 A / LK 3 B



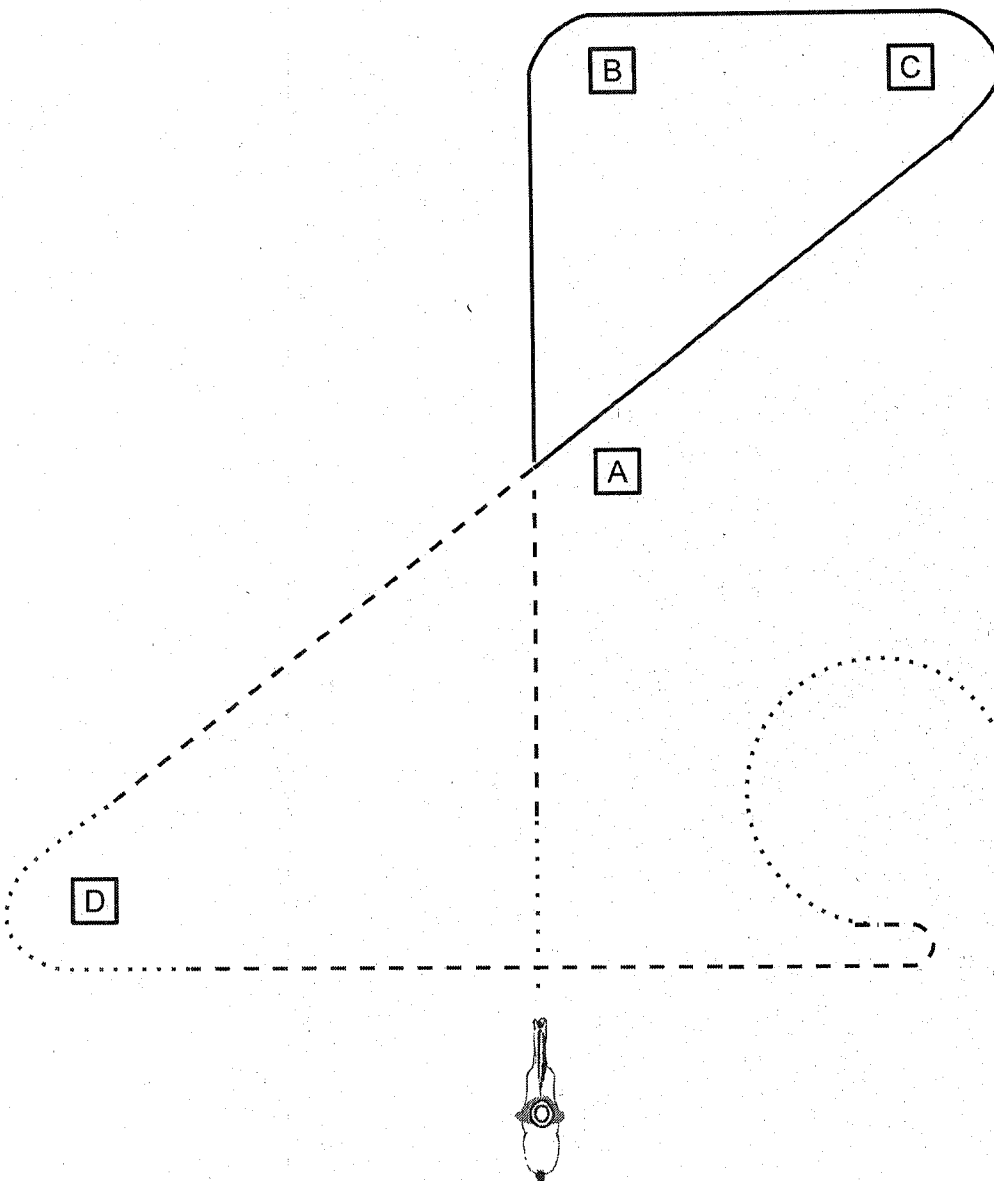
1. Walk - Jog - Stop at A
2. Lope (RL) as shown
Stop at A
3. 360° Turn (R)
4. Lope (LL) as shown
5. Jog
6. Jog circle - Stop - Back

Walk to Exit

L = Left
 R = Right
 LL = Left Lead
 RL = Right Lead

- A Marker
- Schritt
- Trab
- - - - - ext. Trab
- Galopp
- ext. Galopp
- ◄----- Rückwärts
- nn ----- Seitwärts
- X— Galoppwechsel

Western Horsemanship LK 4 A / LK 4 B / LK 5 A / LK 5 B



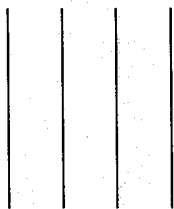
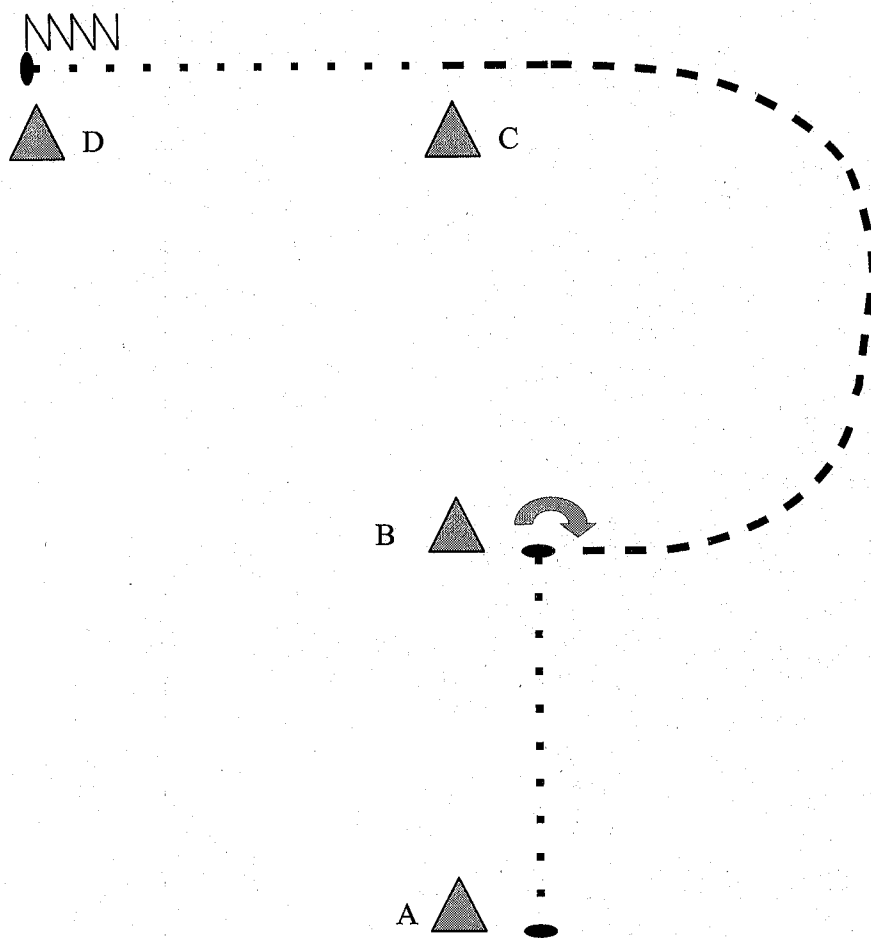
1. Walk - Jog to A
2. Lope (RL) around B and C to A
3. Jog to D
4. Walk around D
5. Jog
6. Walk circle - Stop - Back

Walk to Exit

- L = Left
- R = Right
- LL = Left Lead
- RL = Right Lead

- A Marker
- Schritt
- Trab
- - - - - ext. Trab
- Galopp
- ext. Galopp
- ◆ —◆ —◆ Rückwärts
- no> Seitwärts
- X — Galoppwechsel

Walk Trot Western Horsemanship (Nr. 3)



1. Walk von A nach B
2. Bei B Stop
3. 90° Hinterhandwendung rechts
4. halber Jogzirkel bis C
5. Walk bei C bis D
6. Stop bei D
7. ca. eine Pferdelänge rückwärts richten

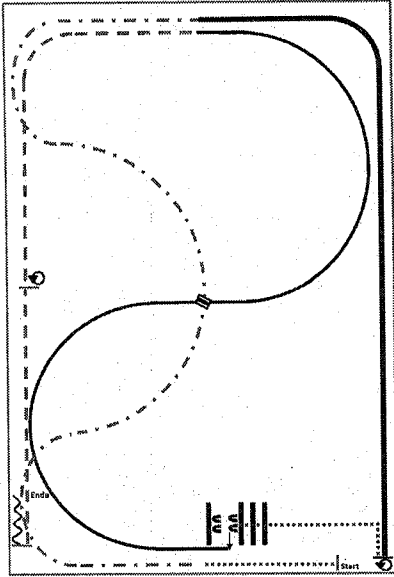
Ranch Riding

LK 1 A / LK 1 B / LK 2 A / LK 2 B

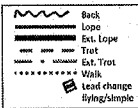
Qualifikationspattern RR 2017 #6: LK 1/2 A/B sen.
(auch für Hallen und Plätze 20x40m geeignet)



09/2017



- 1) Walk.
- 2) Extended trot, occassion.
- 3) Extended lope right lead.
- 4) Stop, 180° turn right.
- 5) Walk.
- 6) Walk over, sidestep left.
- 7) Loop right lead.
- 8) Lead change.
- 9) Loop left lead.
- 10) Trot.
- 11) Stop, 290° turn each direction other way first.
- 12) Trot, stop, back.

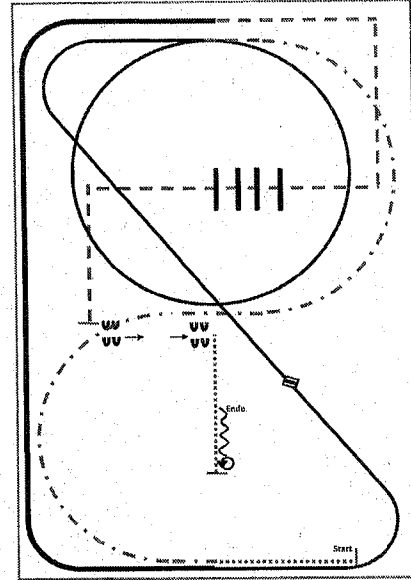


LK 3 A / LK 3 B

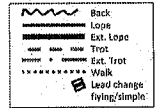
Pattern RR 2017 #2: LK 3 A/B
(auch für Hallen und Plätze 20x40m geeignet)



09/2017



- 1) Walk.
- 2) Extended trot, trot.
- 3) Loop left lead one circle, lope left lead.
- 4) Lead change.
- 5) Loop right lead.
- 6) Extended lope.
- 7) Trot corners.
- 8) Trot over, trot.
- 9) Stop, sidestep left.
- 10) Walk, stop.
- 11) 360° turn right or left, back.

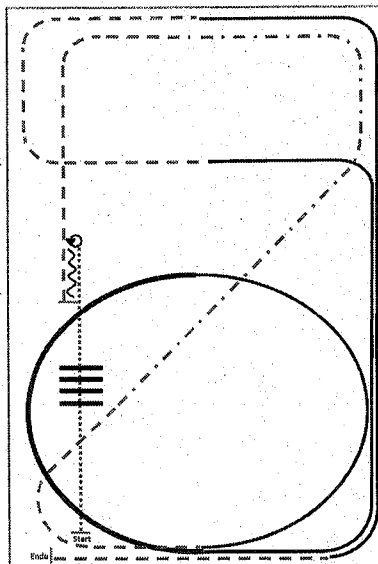


LK 4 A / LK 4 B / LK 5 A / LK 5 B

Pattern RR 2017 #3: LK 4/5 A/B
(auch für Hallen und Plätze 20x40m)



09/2017



- 1) Walk.
- 2) Walk over, walk.
- 3) Stop, 280° turn left or right.
- 4) Back.
- 5) Trot.
- 6) Extended trot, trot.
- 7) Loop left lead.
- 8) Extended lope, lope.
- 9) Trot.
- 10) Loop right lead.
- 11) Trot, stop.

